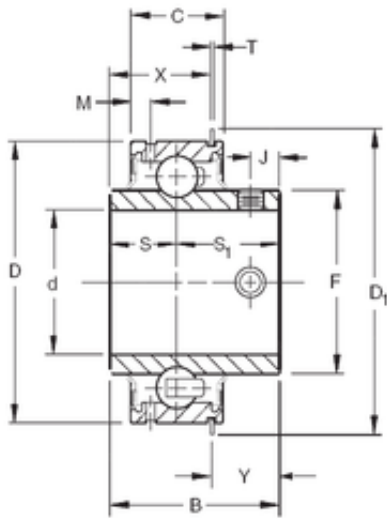




# NTN BEARING CORP.OF AMERICA



## 87,3125 mm x 150 mm x 85,72 mm TIMKEN ER55 Insert Bearings Cylindrical OD

Bearing No. ER55

Size	87.3125x150x85.72 mm
Bore Diameter	87,3125 mm
Outer Diameter	150 mm
Width	85,72 mm
d	87,3125 mm
D	150 mm
B	85,72 mm
C	49,21 mm
Y	34,53 mm
S1	51,57 mm
X	51,21 mm
D1	159,5 mm
F	104,84 mm
J	11,91 mm
M	11,02 mm
S	34,16 mm
T	2,8 mm
Thread (G)	M12X1,75

ER55 Bearing 2D drawings and 3D CAD models